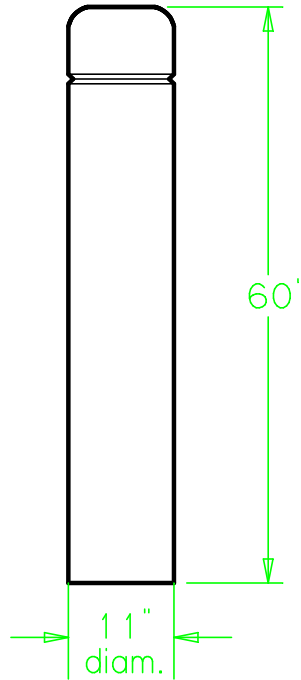
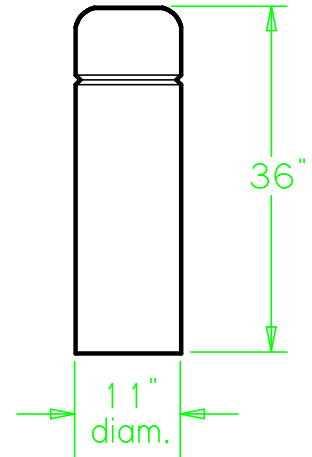


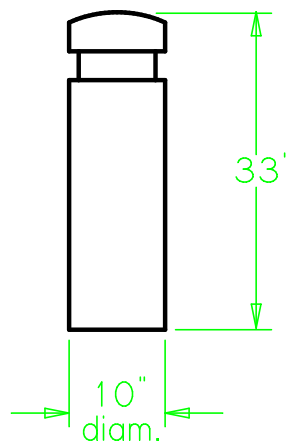
AGASSIZ



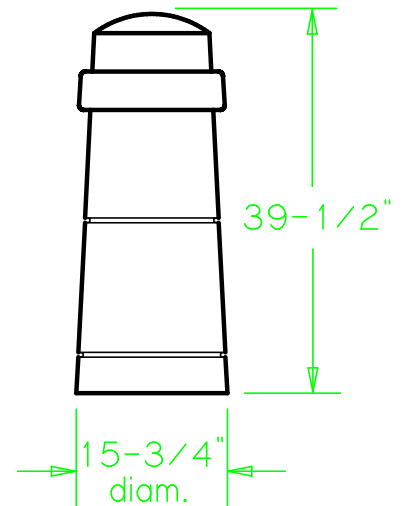
METRO 60



METRO 36



WHISTLER



ARBUTUS



SANDERSON  
CONCRETE  
INC.

[www.sandersonconcrete.com](http://www.sandersonconcrete.com)

12665 116TH AVE.  
SURREY, B.C.  
V3V 3S6  
PH: (604)580-4108  
FAX: (604)580-4111  
TOLL FREE: 1-800-671-8882

SCALE: NTS

DATE:

PROJECT

APPROVED BY:

DRAWN BY:

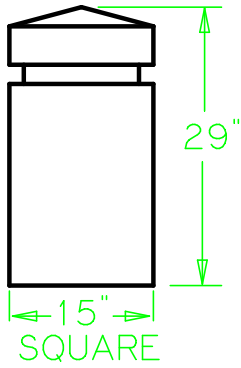
REVISED

TRAFFIC BOLLARD'S  
PAGE 1

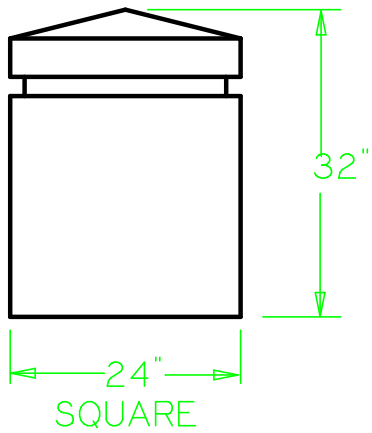
REV. NO.

SHEET NO.

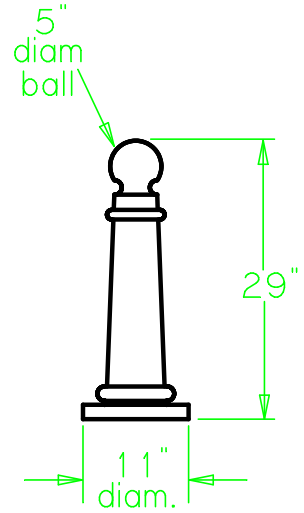
DRAWING NO.



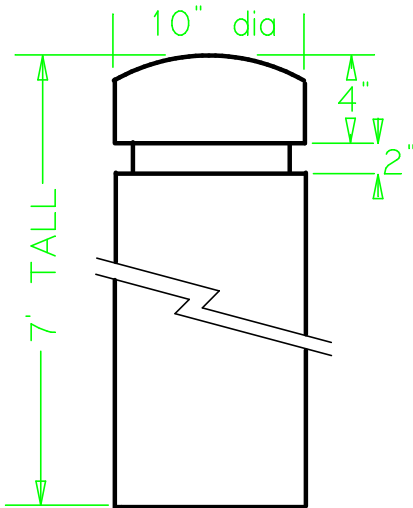
MATSQUI 15



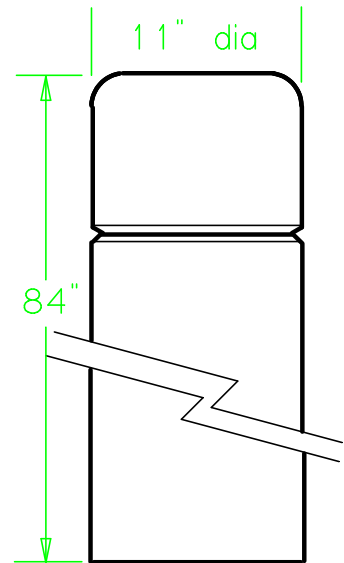
MATSQUI 24



PAWN



BOLBB  
BEST BUY



BOLFS  
FUTURE SHOP



SANDERSON  
CONCRETE  
INC.

www.sandersonconcrete.com

12665 116TH AVE.  
SURREY, B.C.  
V3V 3S6  
PH: (604)580-4108  
FAX: (604)580-4111  
TOLL FREE: 1-800-671-8882

SCALE: NTS

APPROVED BY:

DRAWN BY: ML

DATE:

REVISED

PROJECT

TRAFFIC BOLLARD'S  
PAGE 2

REV. NO.

SHEET NO.

DRAWING NO.